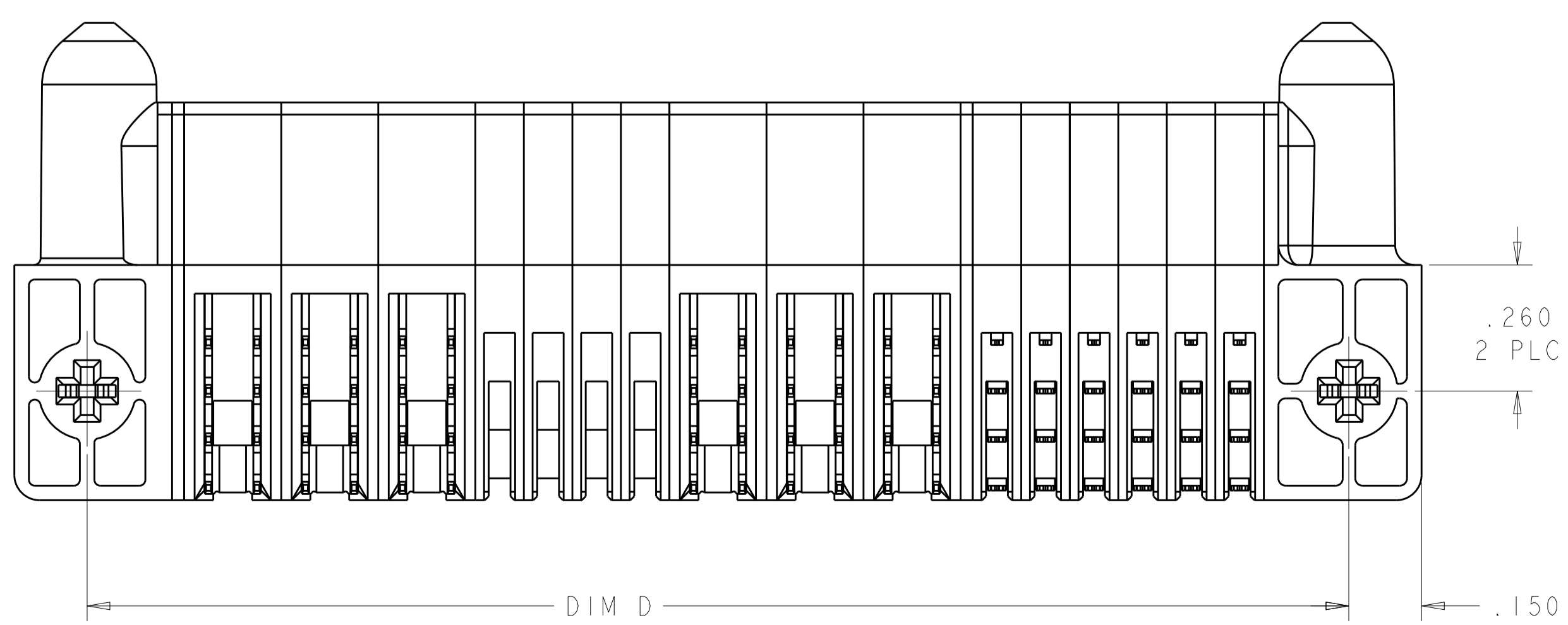
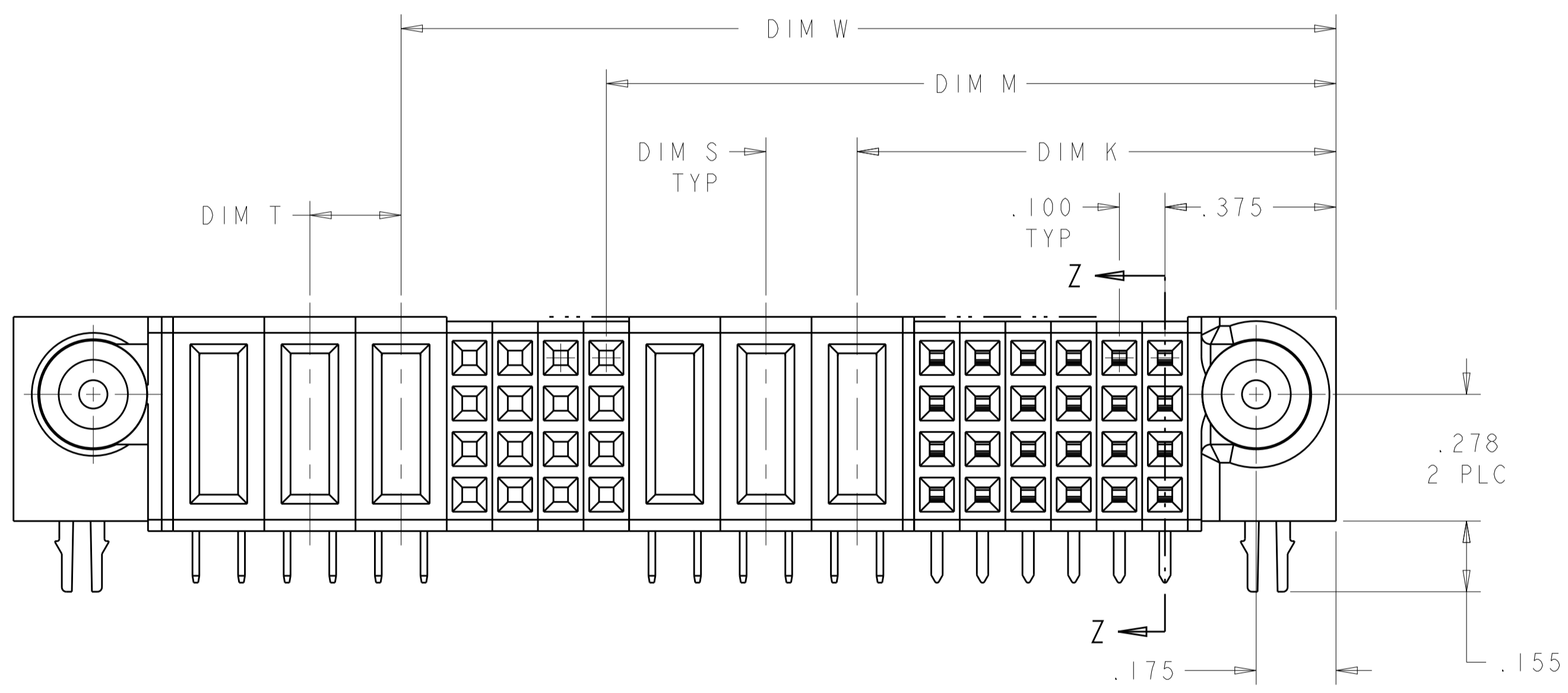
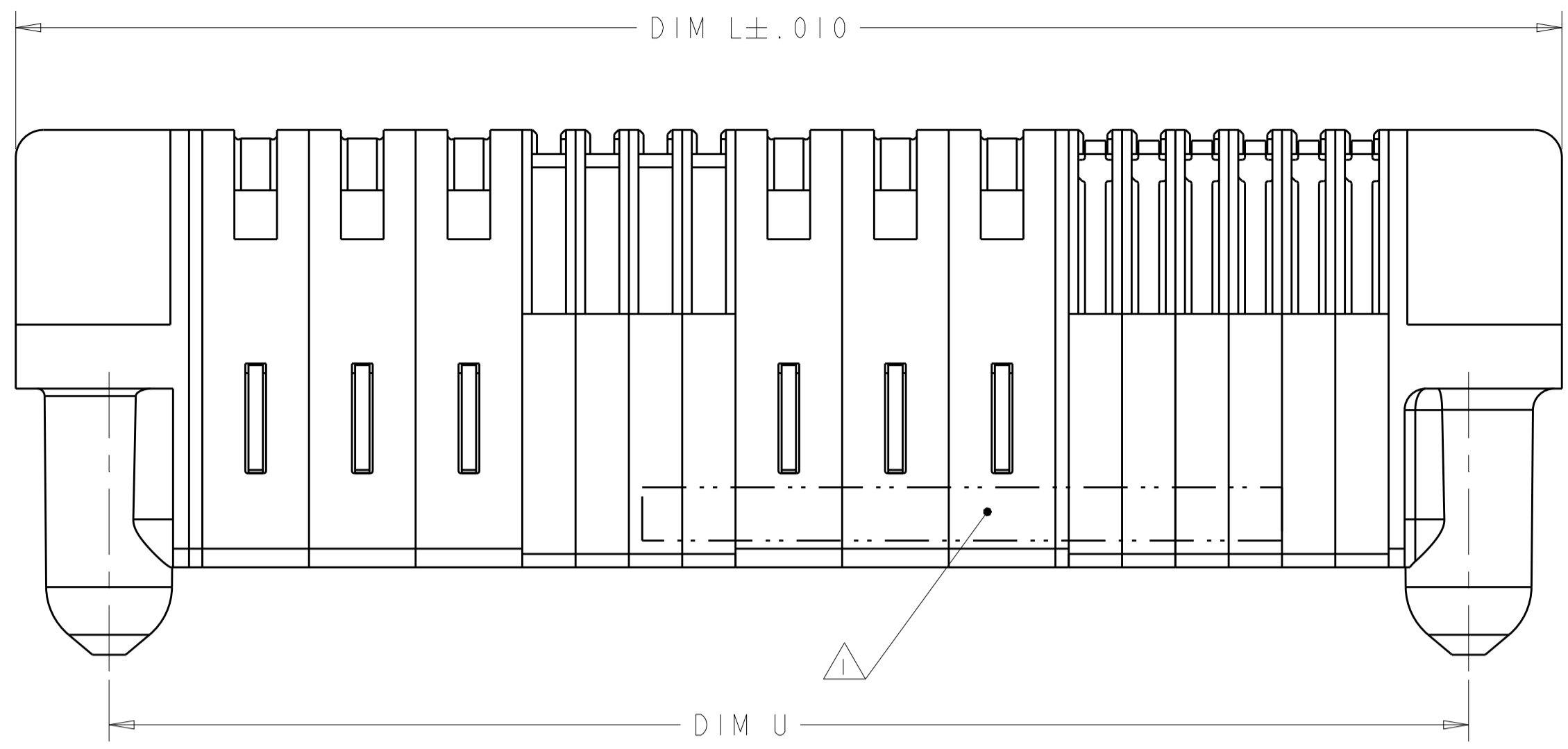
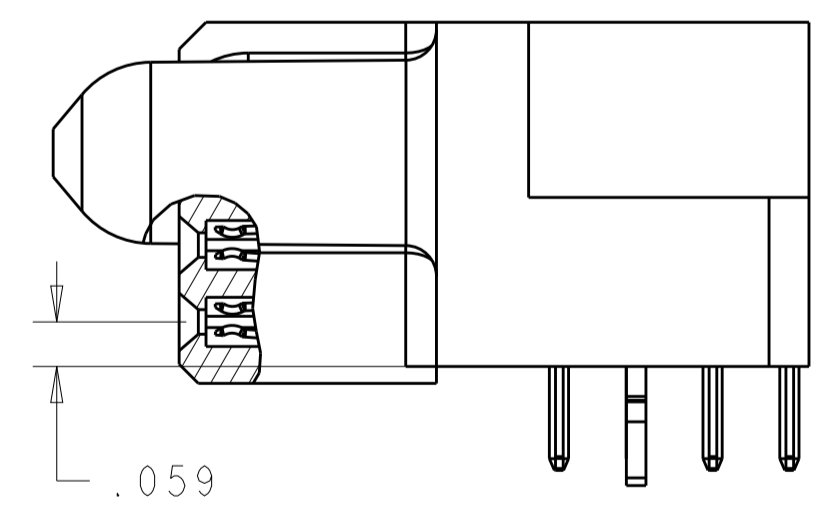
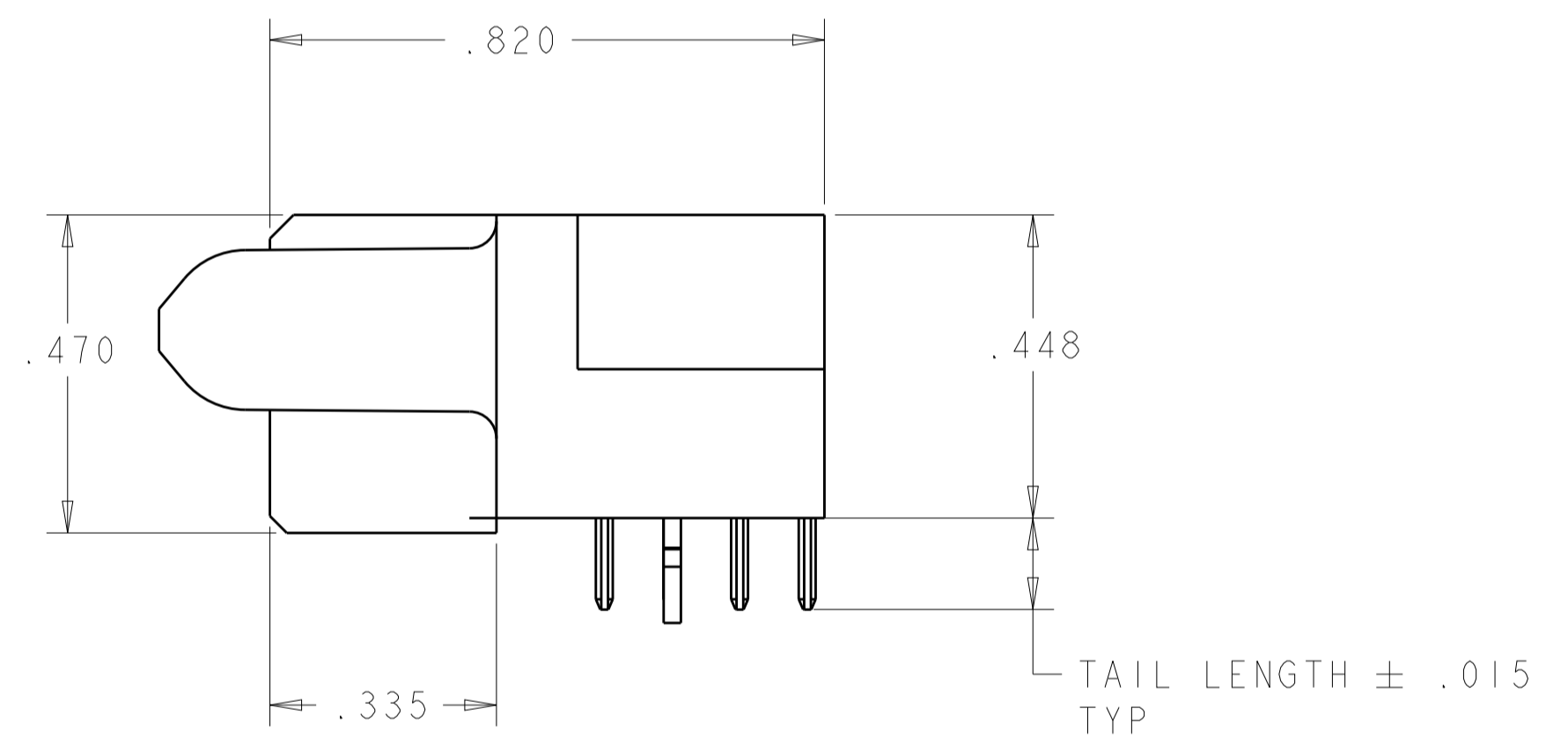


LOC	DIST	REVISIONS					
		P	LTN	DESCRIPTION	DATE	DWN	APVD
ES	00	A		REV PER ECR-06-016596	12JUL2006	DZ	SY
		B		REV PER ECR-08-025991	15OCT2008	TY	SY



- 1 "AMP", PART NUMBER, AND DATE CODE TO BE MARKED IN AREA SHOWN.
- 2 MATERIAL: HOUSING - GLASS FILLED HIGH TEMP THERMO PLASTIC, UL94 V-0
 SIGNAL CONTACT - HIGH CONDUCTIVITY COPPER ALLOY
 POWER CONTACT - HIGH CONDUCTIVITY COPPER ALLOY
- 3 CONTACT PLATING: NOBLE METAL PLATING ON CONTACT FUNCTIONAL AREA OF POWER AND SIGNAL CONTACTS
- 4 MECHANICAL CONNECTOR KEEP OUT ZONE.
- 5 DATUM AND BASIC DIMENSIONS ESTABLISHED BY CUSTOMER.
- 6 PCB - ALL HOLE DIAMETERS ARE FINISHED HOLE SIZES.
- 7 PCB - .0453 +/- .0010 DRILLED HOLES PLATES WITH .0003 MIN Sn OVER .001 TO .003 PLATING TO ACHIEVE A .040 DIA. HOLE.



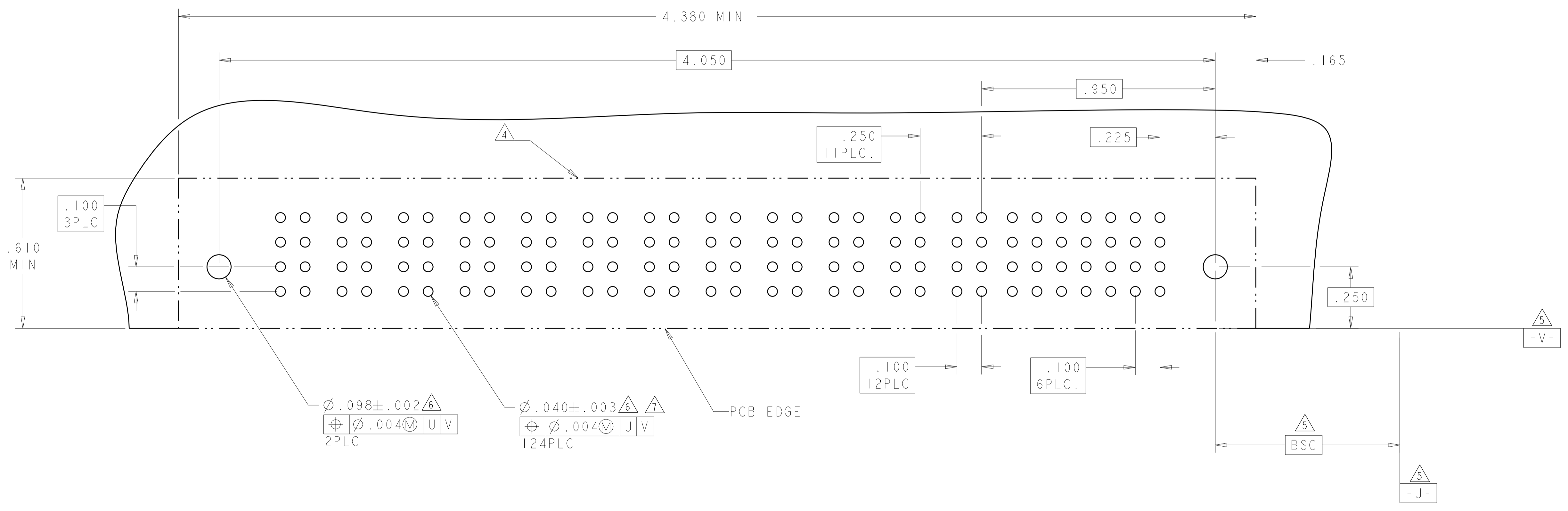
SECTION Z-Z

1.600	.200	2.550	.200	2.050	2.600	1.050	2.900	24S + 3P + 16S + 3P	6450171-6
-	-	3.325	.200	-	3.375	1.050	3.675	24S + 12HDP	6450171-5
-	-	4.000	.250	-	4.050	1.150	4.350	28S + 12P	6450171-1
M	T	U	S	W	D	K	L	DESCRIPTION	PART NUMBER

DIMENSIONS: INCHES DIMENSIONS: MILLIMETERS DIMENSIONS: DECIMALS DIMENSIONS: FRACTIONS DIMENSIONS: ANGLES		TOLERANCES UNLESS OTHERWISE SPECIFIED: 0 PLC $\pm .01$ 1 PLC $\pm .01$ 2 PLC $\pm .01$ 3 PLC $\pm .005$ 4 PLC $\pm .002$ ANGLES $\pm .075^\circ$		DWN: CECILY ZHOU 24APR2006 CHK: SUNY ZHAO 24APR2006 APVD: STEVEN YAO NAME: RIGHT ANGLE RECEPTACLE ASSEMBLY, MULTI-BEAM XL PRODUCT SPEC: 108-1973 APPLICATION SPEC: 114-13038 WEIGHT: - SCALE: 4:1		Tyco Electronics incorporated Shanghai, P.R.China. 200233 SHEET 1 OF 4 REV B	
--	--	--	--	--	--	---	--

LOC		DIST		REVISIONS			
ES	00	P	LTM	DESCRIPTION	DATE	DWN	APVD
-	-	-	-	SEE SHEET 1	-	-	-

PART NUMBER	ROWS	POWER												SIGNAL						
		P12	P11	P10	P9	P8	P7	P6	P5	P4	P3	P2	P1	7	6	5	4	3	2	1
6450171-1	D C B A	[RM] [RM] [RM] [RA] [RA] [RA] [RA] [RA] [RA] [RA] [RM] [RM] [RM]												[H] [H] [H] [H] [H] [H] [H]						
		[RM] [RM] [RM] [RA] [RA] [RA] [RA] [RA] [RA] [RA] [RM] [RM] [RM]												[G] [G] [G] [G] [G] [G] [G]						
		[RM] [RM] [RM] [RA] [RA] [RA] [RA] [RA] [RA] [RA] [RM] [RM] [RM]												[F] [F] [F] [F] [F] [F] [F]						
		[RM] [RM] [RM] [RA] [RA] [RA] [RA] [RA] [RA] [RA] [RM] [RM] [RM]												[E] [E] [E] [E] [E] [E] [E]						
28S + 12P																				

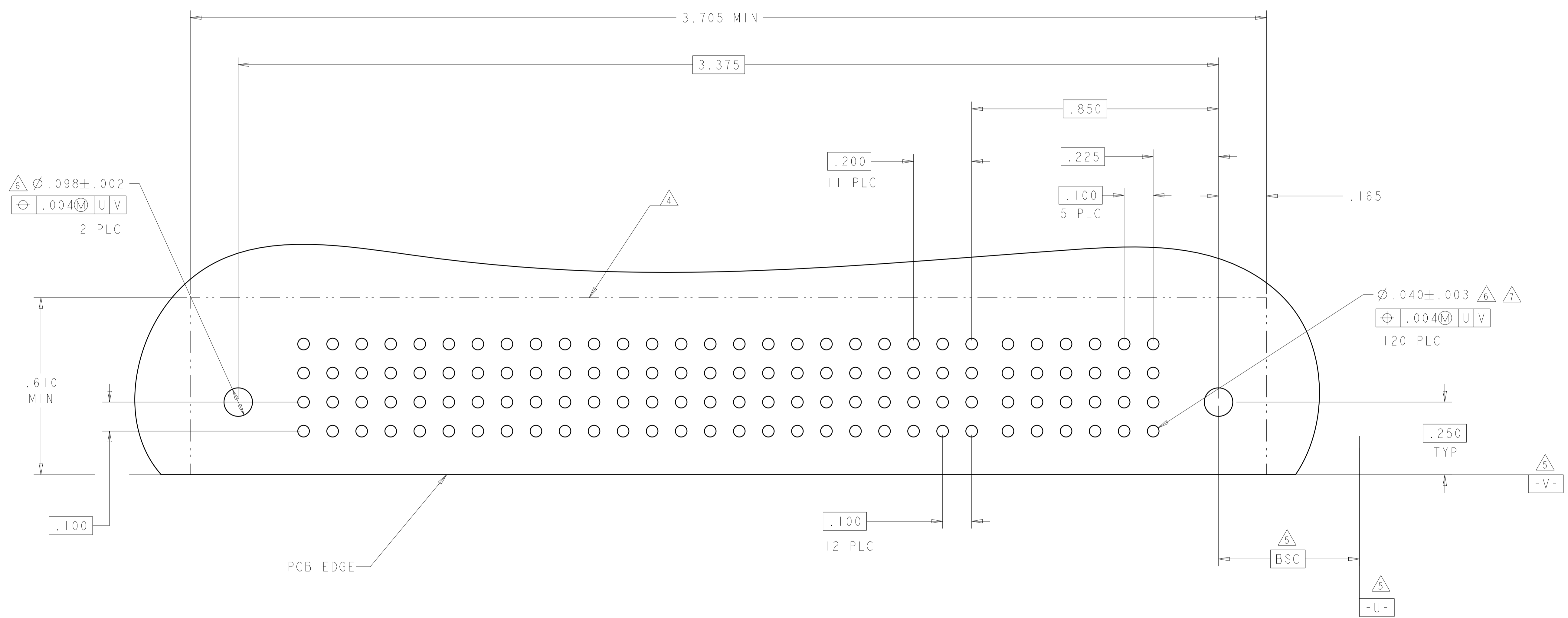


MATING SEQUENCING	DESCRIPTION	IDENTIFIER
-	HOLD DOWN	HD
-	SIGNAL CONTACT, .135 TAIL LENGTH	H
-	SIGNAL CONTACT, .135 TAIL LENGTH	G
-	SIGNAL CONTACT, .135 TAIL LENGTH	F
-	SIGNAL CONTACT, .135 TAIL LENGTH	E
STD	PWR CONTACT, .135 TAIL LENGTH	RM
MFBL	PWR CONTACT, .135 TAIL LENGTH	RA

DIMENSIONS: INCHES		TOLERANCES UNLESS OTHERWISE SPECIFIED: 0 PLC ±.01 1 PLC ±.01 2 PLC ±.01 3 PLC ±.005 4 PLC ±.0020 ANGLES ±.020		DWN: CECILY.ZHOU 24APR2006 CHK: SUNY.ZHAO 24APR2006 APVD: STEVEN.YAO		Tyco Electronics Tyco Electronics incorporated Shanghai, P.R.China. 200233	
MATERIAL:		FINISH:		NAME: RIGHT ANGLE RECEPTACLE ASSEMBLY, MULTI-BEAM XL		SIZE: A100779C=6450171	
CUSTOMER DRAWING		SCALE: 4:1		SHEET: 2 OF 4		REV: B1	

LOC	DIST	REVISIONS			
P	LTH	DESCRIPTION	DATE	DWN	APVD
-	-	SEE SHEET 1	-	-	-

PART NUMBER	ROWS	POWER											SIGNAL							
		P12	P11	P10	P9	P8	P7	P6	P5	P4	P3	P2	P1	6	5	4	3	2	1	
6450171-5	D C B A	RM	RM	RM	RM	RM	RM	RA	RA	RA	RA	RA	RA	H	H	H	H	H	H	
		RM	RM	RM	RM	RM	RM	RA	RA	RA	RA	RA	RA	G	G	G	G	G	G	
		RM	RM	RM	RM	RM	RM	RA	RA	RA	RA	RA	RA	F	F	F	F	F	F	
		RM	RM	RM	RM	RM	RM	RA	RA	RA	RA	RA	RA	E	E	E	E	E	E	
24S + 12HDP		HD													HD					



<small>THIS DRAWING IS UNPUBLISHED. RELEASED FOR PUBLICATION BY TYCO ELECTRONICS CORPORATION. ALL RIGHTS RESERVED.</small>		DWN: CECILY_ZHOU 24APR2006 CHK: SUNY_ZHAO 24APR2006	Tyco Electronics incorporated Shanghai, P.R.China. 200233
DIMENSIONS: INCHES	TOLERANCES UNLESS OTHERWISE SPECIFIED: 0 PLC ±. 1 PLC ±.01 2 PLC ±.01 3 PLC ±.005 4 PLC ±.0020 ANGLES ±.7° FINISH	NAME: STEVEN YAO PRODUCT SPEC: 108-1973 APPLICATION SPEC: 114-13038 WEIGHT: -	NAME: RIGHT ANGLE RECEPTACLE ASSEMBLY, MULTI-BEAM XL SIZE: A CAGE CODE: 100779 DRAWING NO: 6450171 RESTRICTED TO: -
MATERIAL: -		CUSTOMER DRAWING	
SCALE: 4:1		SHEET 3 OF 4	

